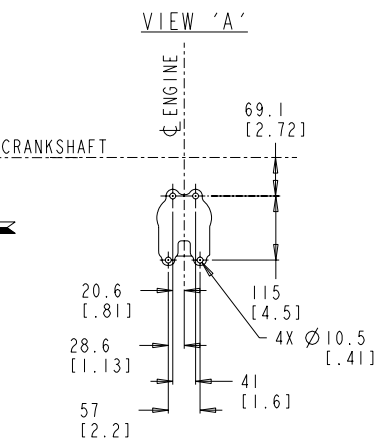
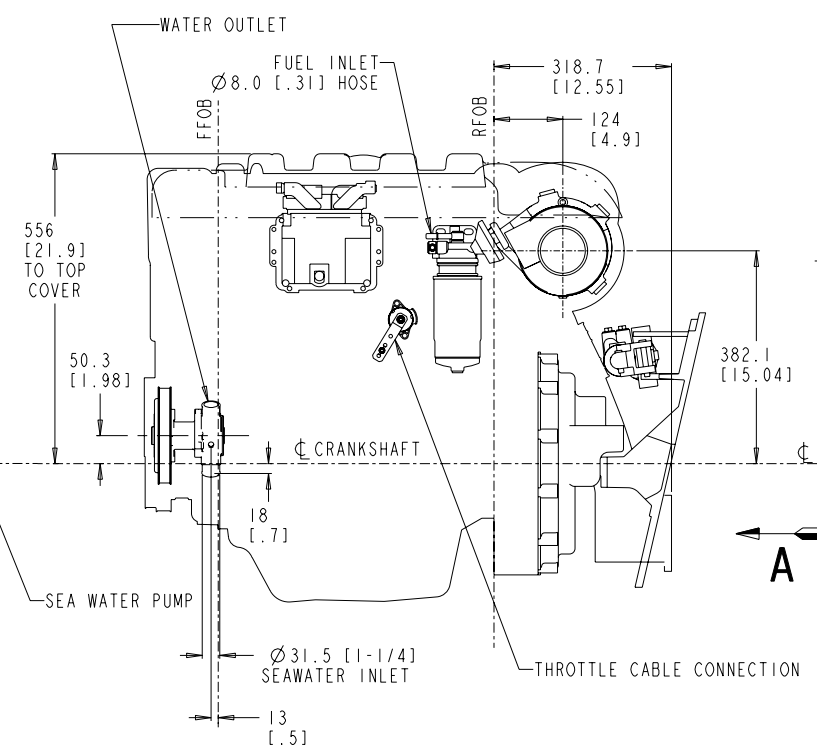
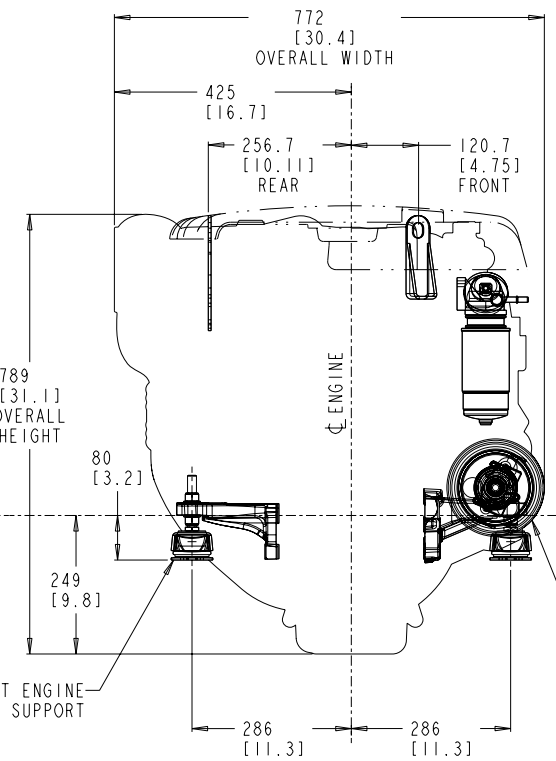
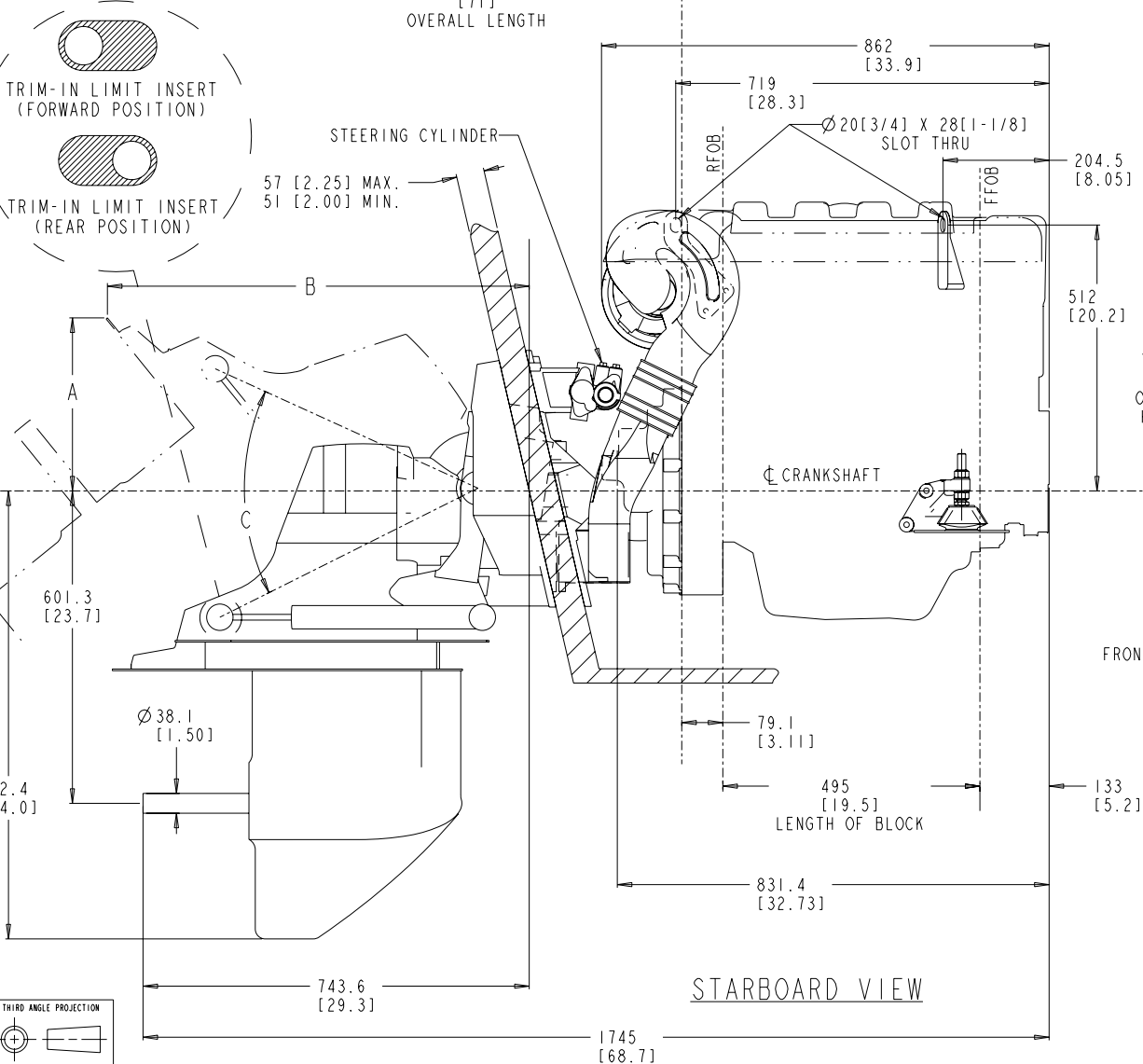
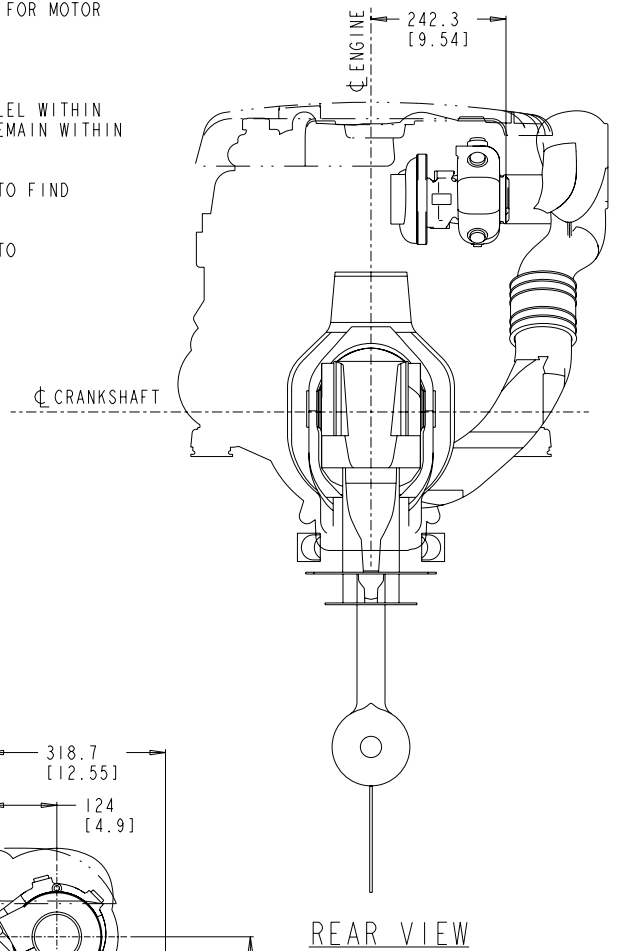
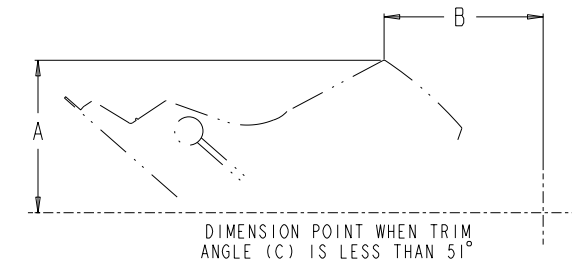
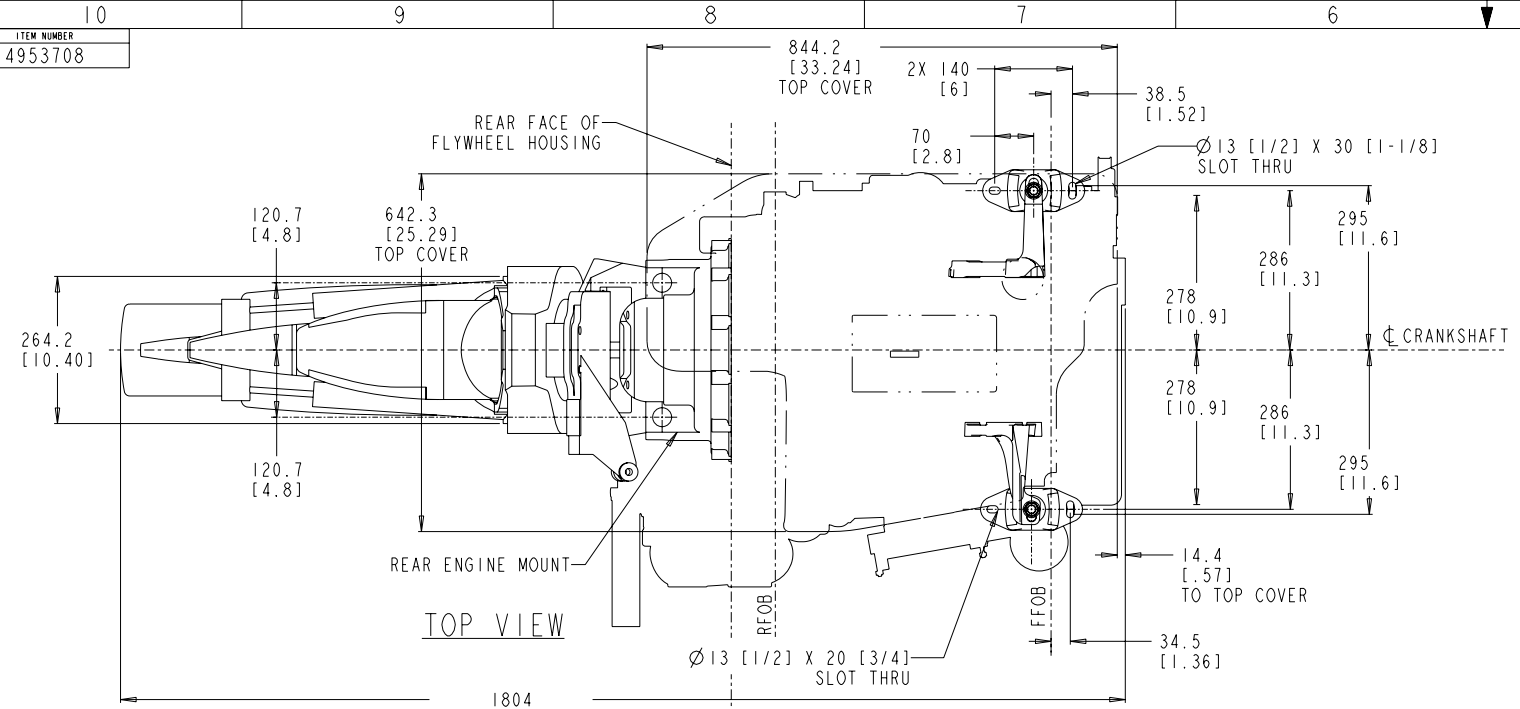


ITEM NUMBER
4953708

| REVISIONS | | DWN | APP'D |
|-----------|---------|-------------|-------|
| ZONE | REV | DESCRIPTION | |
| 02 | REVISED | | |

- NOTES:
- DIMENSIONS REQUIRE A MINIMUM 13mm [1/2] CLEARANCE FOR MOTOR MOUNT DEFLECTION.
 - ENGINE MOUNTS ADJUST 8mm [5/16] UP OR DOWN.
 - INNER AND OUTER SURFACES OF TRANSOM MUST BE PARALLEL WITHIN 3mm [1/8] IN AREA COVERED BY TRANSOM PLATES AND REMAIN WITHIN TRANSOM THICKNESS LIMITS.
 - REFER TO "TRANSOM CUTOUT" IN INSTALLATION MANUAL TO FIND CRANKSHAFT CENTERLINE VS. BOAT BOTTOM.
 - FOR CORRECT CABIN/WATER HEATER CONNECTION, REFER TO INSTALLATION MANUAL.
 - NUMBERS INSIDE BRACKETS ARE IN INCHES.



| WITH TRIM-IN LIMIT INSERT IN REAR POSITION | .62" TILT-UP LIMIT SPACERS | A | B | C (MAX) |
|--|----------------------------|--------------|---------------|--------------|
| | | 0 | 334 [13-3/16] | 819 [32-1/4] |
| 1 | | 289 [11-3/8] | 238 [9-3/8] | 46° |
| 2 | | 276 [10-7/8] | 260 [10-1/4] | 41.3° |

| WITH TRIM-IN LIMIT INSERT IN FORWARD POSITION | .62" TILT-UP LIMIT SPACERS | A | B | C (MAX) |
|---|----------------------------|--------------|---------------|-------------|
| | | 0 | 289 [11-3/8] | 238 [9-3/8] |
| 1 | | 276 [10-7/8] | 260 [10-1/4] | 41.3° |
| 2 | | 263 [10-3/8] | 281 [11-1/16] | 36.8° |

THIS DRAWING IS BASED ON CONFIG. NO. D933002MX03

PRODUCT GRAPHICS FILE
NO ORIGINAL DRAWING EXISTS FOR THIS ITEM. THE ENGINEERING GRAPHICS DATA FOR THIS ITEM RESIDES IN THE PRODUCT GRAPHICS FILE AND IS CONTROLLED BY THE AGENCY DESIGNATED AS HAVING ITEM CONTROL.

DO NOT SCALE THIS DRAWING
THIS DRAWING/DATA FILE (AND THE INFORMATION SHOWN THEREON) IS CONFIDENTIAL AND PROPRIETARY AND SHALL NOT BE USED, DISCLOSED TO OTHERS, OR REPRODUCED BY ANY MEANS FOR ANY PURPOSE IN HARD COPY FORM OR IN MACHINE READABLE FILES, WITHOUT WRITTEN CONSENT OF CUMMINS INC., MARKETING CAD SERVICES DEPARTMENT.

| | | | |
|---|---|---------------------|------------------------------------|
| LAST SECTION LETTER USED: NA | REF. DRAWING STANDARDS: ANSI Y14.5M ISO 81101 | CUMMINS INC. | |
| UNLESS OTHERWISE SPECIFIED DIMENSIONS ARE IN: MM () ARE IN: IN | ITEM NAME QSD 2.8L W/ BRAVO 2 | IDENTIFIER | SIZE CODE (IDENT. NO.) ITEM NUMBER |
| DWN: J.S. SOUW CHD: UNCHECKED APPD: | SCALE: 25 | J | 4953708 |
| | | ITEM CONTROL: MCS | SHEET 1 OF 1 |

H
G
F
E
D
C
B
A

H
G
F
E
D
C
B
A

