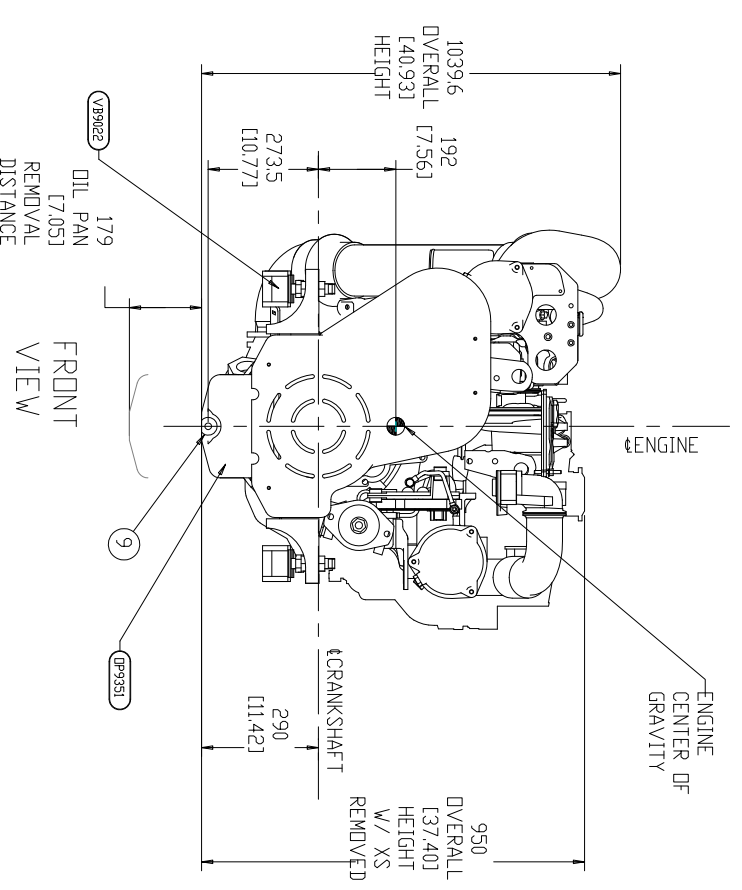
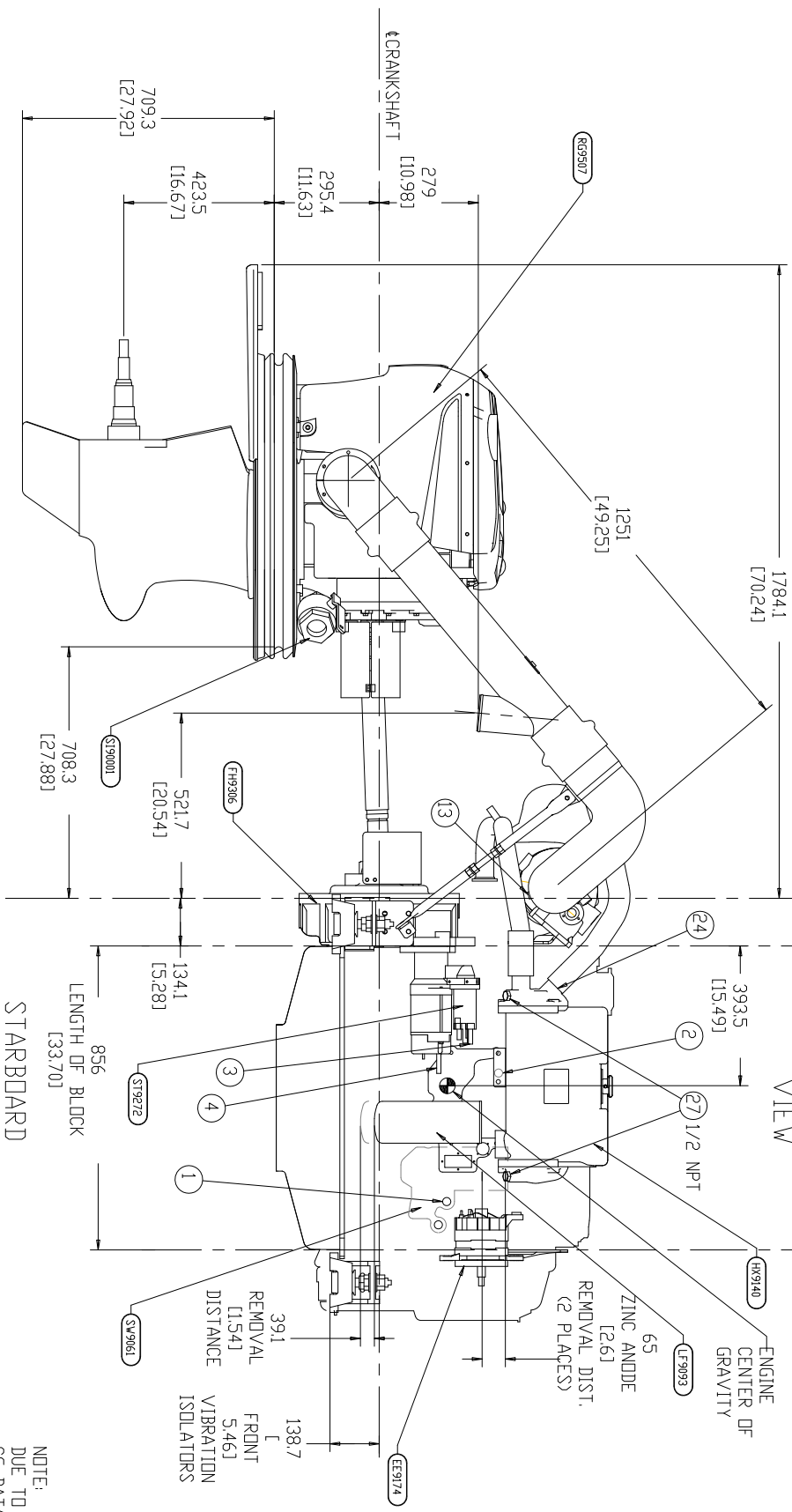
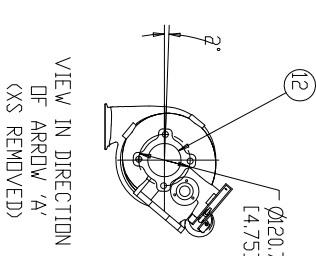
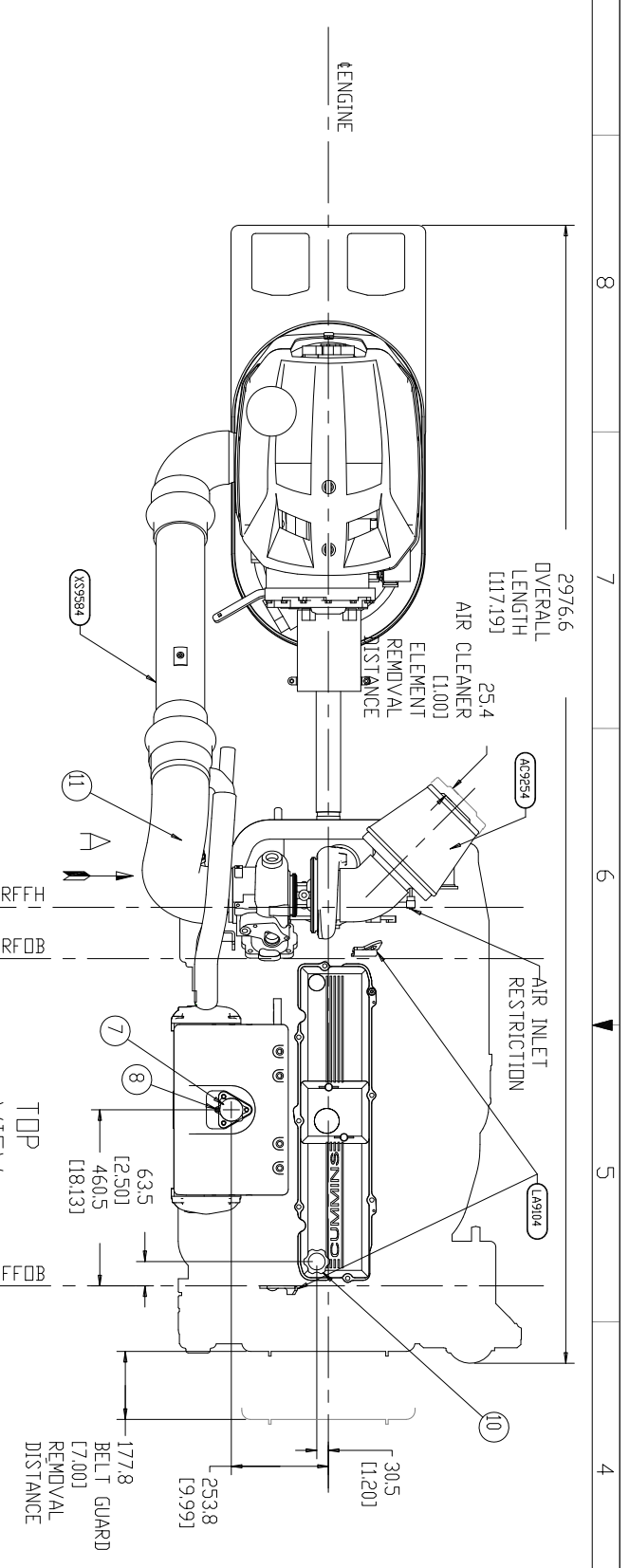


ITEM NUMBER	DESCRIPTION
4953801	OPTIONAL LIST
AC9254	BR9339
DA9179	EA9174
EE9174	EH9434
EM9228	FF9475
FF9475	FH9306
FH9306	FS90044
FS90044	FW9959
FW9959	HX9140
HX9140	LA9104
LA9104	LF9093
LF9093	LG9826
LG9826	DC9106
DC9106	DP9351
DP9351	PH9275
PH9275	RE9096
RE9096	RG9507
RG9507	SI90001
SI90001	ST9272
ST9272	SW9061
SW9061	TB91836
TB91836	TR9103
TR9103	VB9022
VB9022	VC9773
VC9773	WR9502
WR9502	XS9584



ENGINE SERVICE TEST PORTS/INSTALLATION CONNECTIONS

NOTE:
DUE TO OPTION DIFFERENCES,
CG DATA IS APPROXIMATE.

STARBOARD VIEW

FRONT VIEW

DROP BOX INSTALLATION SHOWN WITH 28.375" DRIVE SHAFT

- 1 AUXILIARY HEATER RETURN: 5/8 BARBED
- 2 AUXILIARY HEATER SUPPLY: 5/8 BARBED
- 3 BATTERY CONNECTION (STARTER) (+): M12 X 1.75
- 4 BATTERY CONNECTION (STARTER) (-): M12 X 1.75
- 5 BATTERY CONNECTION (ECM) (+): (4) PIN DEUTSCH
- 6 BATTERY CONNECTION (ECM) (-): (4) PIN DEUTSCH
- 7 COOLANT FILL: Ø80 (1.181) O.D.
- 8 COOLANT RECOVERY/OVERFLOW CONN: Ø9.27 (1.361)
- 9 ENGINE OIL DRAIN: M18 X 1.5

- 10 ENGINE OIL FILL: Ø88 (1.101)
- 11 EXHAUST OUTLET CONNECTION (ELBOW): Ø152.4 (6.001)
- 12 EXHAUST OUTLET CONNECTION (TURBO): 4X M8 X 1.25 W/ 7.8
- 13 EXHAUST TEMP/BACK PRESSURE TEST PORT: 1/4-18 NPT
- 14 FUEL INLET CONNECTION: 7/8-14 (45-#10)
- 15 FUEL INLET TEST PORT: (SEE NOTE, SHEET 2)
- 16 FUEL RETURN TO TANK CONNECTION: 3/4-16 (45-#8)
- 17 FUEL RETURN TEST PORT: (SEE NOTE, SHEET 2)
- 18 GEAR OIL COOLER INLET: N/A
- 19 GEAR OIL COOLER OUTLET: N/A
- 20 OIL HEATER CONNECTION: M22 X 1.5
- 21 SEA WATER INLET: Ø6.35 (2.501) O.D.
- 22 SEA WATER INLET TEST PORT: 1/4-18 NPT
- 23 SEA WATER OUTLET: Ø50.8 (2.001) O.D.
- 24 SEA WATER OUTLET TEST PORT: 1/4-18 NPT
- 25 SEA WATER SUPPLY: N/A
- 26 SHAFT LOD SEA WATER SUPPLY: 4X 1/2 NPT
- 27 ZINC ANODE: N/A

LENGTH OF BLOCK: 856

REMOVAL DISTANCE (2 PLACES): 1341 (5.281)

REMOVAL DISTANCE: 391 (1.541)

REMOVAL DISTANCE: 138.7

REMOVAL DISTANCE: 179 (7.051)

Product Graphics F
NO ORIGINAL DRAWING EXISTS FOR THIS ITEM. THE ENGINEERING GRAPHICS DATA FOR THIS ITEM RESIDES IN THE PRODUCT GRAPHICS FILE AND IS CONTROLLED BY THE MANUFACTURING AGENCY DESIGN/ENGINEERING DEPARTMENT.

DATE: 03/08/03
ITEM: 83 W/ LENS DRIVE
SCALE: 1:1
SHEET 1 OF 3

REV	DESCRIPTION	DATE
001	REVISED	03/08/03

